



# Spare Parts Catalog

8 HP 70 HIS SW

Material number: 1087.016.008

ZF Friedrichshafen AG

Hauptverwaltung

80038 Friedrichshafen

Deutschland

Telefon: +49 7541 77-0

Telefax: +49 7541 77-908000

[www.zf.com](http://www.zf.com)

zuständiges Werk:

Saarbrücken



Pos.	Information	Amendment number
001	Use case -----	
002	Customer Bayerische Motoren Werke (BMW)	
003	City Muenchen	
004	DUNS 31-536-9934	
005	Vehicle / Apparatus -----	
006	Sales Name 530	
007	Manufacturer Bayerische Motoren Werke (BMW)	
008	Engineering Name F10	
009	Product Use CAR	
010	Vehicle/Hardware Type LIMOUSINE	
011	SOP	
012	Engine	
013	Sales Designation N57D30O1	
014	Manufacturer Bayerische Motoren Werke (BMW)	
015	Drivetrain type DIESEL	
016	Eng.Displ. 2993 cm3	
017	Cylinder 6	
018	Nom. power 180 kW	
019	RPM at nom. power 4000 1/min	
020	Nom. torque 540 Nm	
021	RPM at nom. torque 2250 1/min	
022	Classification use case -----	
023	REAR AXLE RATIO 2.47	
024	DYNAMIC TYRE RADIUS 329.5 mm	
029	Product description -----	
030	INSTALLATION POS TRANSMISSION LENGTHWISE	
031	DESIGN, CONSTRUCTION STAGE SERIE	
032	OEM BMW	
033	CODE, CUSTOMER WSB	
034	Documents -----	
035	TRANSMISSION Drawing 1087.610.010	
036	1087016008_K4_8HP70HIS_F10_N57D30O1 Graphic 000000324060	



<b>Pos.</b>	<b>Information</b>	<b>Amendment number</b>
037	Alias ID -----	
038	Bayerische Motoren Werke (BMW) 2400-7626342	

# Assembly group overview

Material number: 1087.016.008

8 HP 70 HIS SW /

Page 1 from 2



Graphics	Pos.	Material number	Name	Quantity	Amend. no.	Techn. Info.
168.28.11-1	KIT	1087.198.981	MECHATRONIC	1		
	710	1087.014.007	8 HP 70 HIS	1		
	118	1087.101.646	GEARBOX HOUSING	1		
	120	1087.101.924	GEARBOX HOUSING	1		
	170	1091.102.806	INPUT	1		
	300	1087.103.813	OIL SUMP	1		
168.06.31-1	228	1087.106.817	GEAR SHIFT SYSTEM	1		
	198	1087.110.801	OIL SUPPLY	1		
	900	1087.110.045	OIL SUPPLY	1		
	138	1090.114.823	OUTPUT	1		
	320	1087.322.302	CONVERTER	1		
	248	1087.124.845	PARKING LOCK	1		
	920	1090.126.803	MODULE	1		
	280	1087.127.900	MECHATRONIC	1		
	278	1087.128.815	MECHATRONIC	1		
	980	1087.131.829	PLANETARY DRIVE	1		
	970	1087.132.818	PLANETARY DRIVE	1		
	960	1087.140.808	PLANETARY DRIVE	1		
	900	1087.142.823	PLANETARY DRIVE	1		
	900	1087.142.161	PLANETARY DRIVE	1		
	900	1090.150.004	VALVE HOUSING	1		
	910	1087.151.028	VALVE PLATE	1		
	920	1087.127.845	CONTROL UNIT	1		
	920	1087.170.815	COUPLING	1		
	950	1087.171.008	COUPLING	1		
	160	1087.172.816	COUPLING	1		
	910	1087.172.815	COUPLING	1		
	910	1087.173.806	COUPLING	1		
	920	1087.173.804	COUPLING	1		
	930	1102.175.800	COUPLING	1		
	940	1087.175.004	COUPLING	1		

# Assembly group overview

Material number: 1087.016.008

8 HP 70 HIS SW /

Page 2 from 2



Graphics	Pos.	Material number	Name	Quantity	Amend. no.	Techn. Info.
	84	1087.192.050	CONSERVATION	1		
	62	1087.197.933	PACKING	1		
177.14.01-1	KIT	1091.298.004	OUTPUT	1		
177.01.11-1	KIT	1091.298.003	SMALL COMPONENTS SET	1		
168.06.21-1	KIT	1087.298.058	GEAR SHIFT SYSTEM	1		
168.28.21-1	KIT	1087.298.056	OIL VOLUME ACCU	1		
168.03.01-1	KIT	1087.298.053	OIL SUMP	1		
168.22.01-1	KIT	1087.298.025	CONVERTER	1		
168.22.11-1	KIT	1087.298.007	SEAL KIT	1		
168.14.11-1	KIT	1087.298.002	OUTPUT FLANGE	1		
009.g3.01-1	KIT	1043.298.121	CLOSING COMPONENTS	1		
	910	6058.008.065	E-MODUL 8-GANG	1		

# Plant

Page 1 from 1

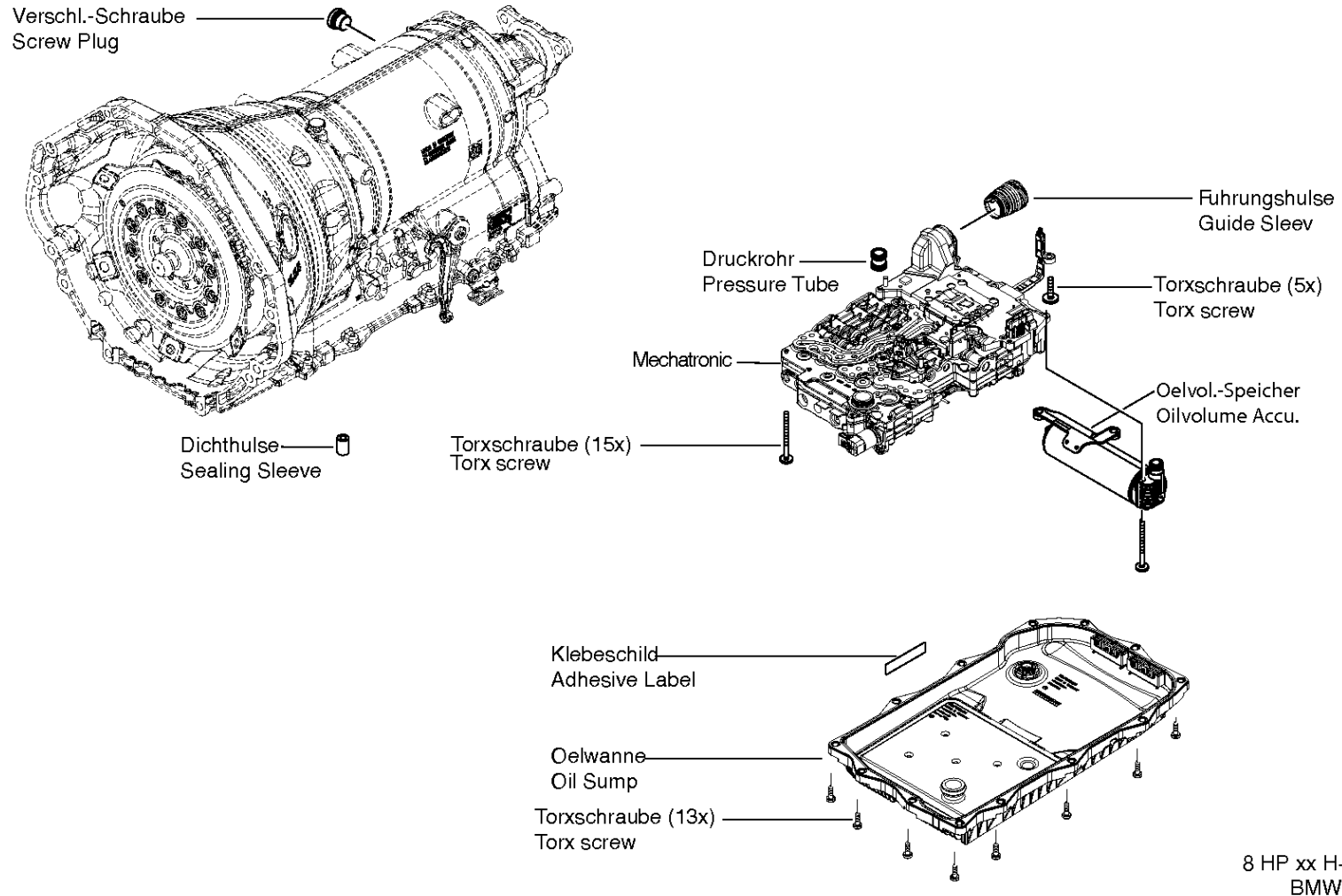
Material number: 1087.016.008

Plant: 168.28.11-1

Material-assembly-group-no: 1087.198.981

8 HP 70 HIS SW /

MECHATRONIC



# Parts list

Page 1 from 1

Material number: 1087.016.008

8 HP 70 HIS SW /

Plant: 168.28.11-1

Material-assembly-group-no: 1087.198.981



Pos.	Material number	Customer material	Name	Quantity	ME	Amend. no.	Techn. Info.	Weight	Rep kit	Alternative material
20	1087.301.006		SEALING SLEEVE	1			B IN 1087 301 012(2)	0,002		
270	1090.128.313		MECHATRONIC	1			E*INT.EGS*MECH-S1* GD*HIS*P_SYS_MIN=3. 5BAR	0,000		
/900	1090.150.004		VALVE HOUSING	1				0,000		
/910	1087.151.028		VALVE PLATE	1			E*MECH-S1*GD	0,000		
/910	6058.008.065		E-MODUL 8-GANG	1		Z00006410318	D2-MUSTER	0,600		
/920	1087.127.845		CONTROL UNIT	1			ANBAU	0,000		
/920	1090.126.803		MODULE	1		Z00006410318	ANBAU*INT EGS	0,000		
450	0736.101.348		TORX SCREW	15				0,015		
570	0736.101.375		TORX SCREW	5				0,002		
640	1087.227.004		PRESSURE TUBE	1			KPL.	0,010		
670	0501.216.364		GUIDE SLEEVE	1				0,017		
680	0501.327.294		OIL VOLUME ACCU	1				1,157		
700	0637.900.038		PLUG	1				0,004		
720	6059.311.133		SOFTWARE	1			870J6620.HEX	0,000		
500	1087.298.053		OIL SUMP	1			8HP45/70*45/70X+HIS* 70H*BMW*	1,350		

# Parts list

Page 1 from 3

Material number: 1087.016.008

8 HP 70 HIS SW /

Material-assembly-group-no: 1087.014.007



Pos.	Material number	Customer material	Name	Quantity	ME	Amend. no.	Techn. Info.	Weight	Rep kit	Alternative material
62	1087.197.933		PACKING	1				0,000		
84	1087.192.050		CONSERVATION	1			KA 0/KI 1*ZFN916* PRUEFST. *8,200DM3 GE/WT	0,000		
118	1087.101.646		GEARBOX HOUSING	1			ANBAU	0,000		
120	1087.101.924		GEARBOX HOUSING	1			PRUEFLAUF	0,000		
138	1090.114.823		OUTPUT	1			ANBAU	0,000		
160	1087.172.816		COUPLING	1			ANBAU I*B/5	0,000		
170	1091.102.806		INPUT	1			ANBAU* SCHWALBENSCHWAN Z	0,000		
198	1087.110.801		OIL SUPPLY	1			ANBAU	0,000		
228	1087.106.817		GEAR SHIFT SYSTEM	1			ANBAU	0,000		
248	1087.124.845		PARKING LOCK	1		Z00013127216	ANBAU	0,000		
278	1087.128.815		MECHATRONIC	1			ANBAU*SPT*INT.EGS* HIS *SK807	0,000		
280	1087.127.900		MECHATRONIC	1			PRUEFLAUF	0,000		
300	1087.103.813		OIL SUMP	1			ANBAU*N63B44 *SK812	0,000		
320	1087.322.302		CONVERTER	1				0,000		
900	1087.110.045		OIL SUPPLY	1				0,000		
900	1087.142.161		PLANETARY DRIVE	1			RS4*4PL.	0,000		
900	1087.142.823		PLANETARY DRIVE	1			ANBAU*RS4	0,000		
900	1090.150.004		VALVE HOUSING	1				0,000		
910	1087.151.028		VALVE PLATE	1			E*MECH-S1*GD	0,000		
910	1087.172.815		COUPLING	1			ANBAU II*B *SK811	0,000		
910	1087.173.806		COUPLING	1			ANBAU I*D/4 *SK805	0,000		
910	6058.008.065		E-MODUL 8-GANG	1		Z00006410318	D2-MUSTER	0,600		
920	1087.127.845		CONTROL UNIT	1			ANBAU	0,000		
920	1087.170.815		COUPLING	1			ANBAU*A5	0,000		
920	1087.173.804		COUPLING	1			ANBAU D*II *SK802	0,000		



# Parts list

Page 2 from 3

Material number: 1087.016.008

8 HP 70 HIS SW /

Material-assembly-group-no: 1087.014.007



Pos.	Material number	Customer material	Name	Quantity	ME	Amend. no.	Techn. Info.	Weight	Rep kit	Alternative material
920	1090.126.803		MODULE	1		Z00006410318	ANBAU*INT EGS	0,000		
930	1102.175.800		COUPLING	1			ANBAU*C	0,000		
940	1087.175.004		COUPLING	1			C/6*SPT *SK003	0,000		
950	1087.171.008		COUPLING	1			E/5*DRAHTRINGLOESUNG	0,000		
960	1087.140.808		PLANETARY DRIVE	1			ANBAU*RS3*OPT.V1	0,000		
970	1087.132.818		PLANETARY DRIVE	1			ANBAU*RS2/3PL*V1	0,000		
980	1087.131.829		PLANETARY DRIVE	1			ANBAU*RS1/3PL*OPT.V2	0,000		
710	1043.298.121		CLOSING COMPONENTS	1			OELKUEHLERANSCHLUSS*BMW*ALLE TYPEN BIS AUF 3HP*	0,040		
710	1087.298.002		OUTPUT FLANGE	1			+DICHELEMENTE*8HP45/70+HIS*8P70H*BMW*KIT9	0,987		
710	1087.298.007		SEAL KIT	1			WANDLERBEREICH*8HP45/70*45/70X+HIS*70H*BMW*KIT8	0,250		
710	1087.298.025		CONVERTER	1			+DICHELEMENTE*8HP70+X+HIS*BMW*KIT7	19,700		
710	1087.298.053		OIL SUMP	1			8HP45/70*45/70X+HIS*70H*BMW*	1,350		
710	1087.298.056		OILVOLUME ACCU	1			MIT BEF.-SCHRAUBEN, ETC.*8HP70H+HIS*BMW*	3,382		
710	1087.298.058		GEAR SHIFT SYSTEM	1			WDR+WAEHLWELLE+ETC.*8HP45/70X HIS*8HP70H*BMW*N3*	2,520		

# Parts list

Page 3 from 3

Material number: 1087.016.008

8 HP 70 HIS SW /

Material-assembly-group-no: 1087.014.007



Pos.	Material number	Customer material	Name	Quantity	ME	Amend. no.	Techn. Info.	Weight	Rep kit	Alternative material
710	1091.298.003		SMALL COMPONENTS SET	1			SCHR+FÜHR-HÜLSE+ ETC*8HP45/70/90+X+ HIS+70H*BMW*8HP90* BENTLEY	0,160		
710	1091.298.004		OUTPUT	1			WDR+BDM*8HP45/70/ 90*CHR*JAG*BMW* 8P70H*BMW*8HP90* BENTLEY*	0,154		

# Parts list

Page 1 from 1

Material number: 1087.016.008

8 HP 70 HIS SW /

Material-assembly-group-no: 1087.101.646



Pos.	Material number	Customer material	Name	Quantity	ME	Amend. no.	Techn. Info.	Weight	Rep kit	Alternative material
70	0501.314.851		BREATHER TUBE	1				0,006		
80	0501.314.809		BREATHER COVER	1				0,001		
100	0501.321.921		SCREW PLUG	1			M10X1	0,008		
120	0501.321.922		SCREW PLUG	1				0,032		
140	0501.325.743		PLUG	1			*DOPPELSTOPFEN* PERLVIOLETT D17.7	0,003		
840	0666.692.055		CODE LABEL	1				0,001		

# Parts list

Page 1 from 1

Material number: 1087.016.008

8 HP 70 HIS SW /

Material-assembly-group-no: 1091.102.806



Pos.	Material number	Customer material	Name	Quantity	ME	Amend. no.	Techn. Info.	Weight	Rep kit	Alternative material
50	0735.368.318		AXIAL NEEDLE BEARING	1			50,8x81,0x4,0	0,041		
70	1087.231.187		RING GEAR	1		Z00006007710		2,304		
80	0501.327.284		ANGLE DISC	1				0,030		
170	0734.313.897		ROUND SEALING RING	1			23,52X1,78	0,003		

# Parts list

Page 1 from 1

Material number: 1087.016.008

8 HP 70 HIS SW /

Material-assembly-group-no: 1087.103.813



Pos.	Material number	Customer material	Name	Quantity	ME	Amend. no.	Techn. Info.	Weight	Rep kit	Alternative material
10	0501.218.048		OIL SUMP	1				1,260		
/10	0501.324.810		GASKET	1				0,052		
/20	0501.323.928		O-RING	1				0,002		
/30	0501.325.941		SCREW PLUG	1				0,008		
20	0501.326.933		ADHESIVE LABEL	1				0,001		
30	0736.101.486		TORX SCREW	13				0,012		

# Plant

Page 1 from 1

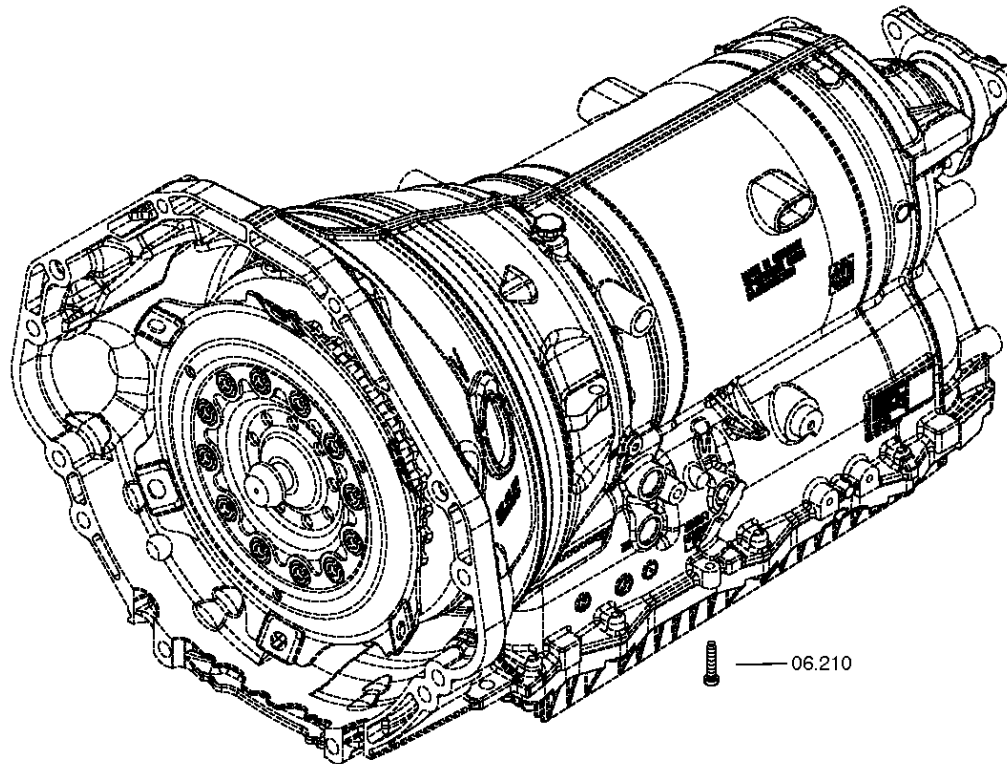
Material number: 1087.016.008

Plant: 168.06.31-1

Material-assembly-group-no: 1087.106.817

8 HP 70 HIS SW /

GEAR SHIFT SYSTEM



8 HP 45 / 70  
8 P 70

# Parts list

Page 1 from 1

Material number: 1087.016.008

8 HP 70 HIS SW /

Plant: 168.06.31-1

Material-assembly-group-no: 1087.106.817



Pos.	Material number	Customer material	Name	Quantity	ME	Amend. no.	Techn. Info.	Weight	Rep kit	Alternative material
210	1087.306.063		CAP SCREW	1				0,007		

# Parts list

Page 1 from 1

Material number: 1087.016.008

8 HP 70 HIS SW /

Material-assembly-group-no: 1087.110.801



Pos.	Material number	Customer material	Name	Quantity	ME	Amend. no.	Techn. Info.	Weight	Rep kit	Alternative material
10	1087.210.253		INTERMPLATE	1				3,722		
20	0735.298.399		NEEDLE SLEEVE	1			W-KAEFIG 33,0X39, 0x21,0	0,029		
30	0730.514.096		SNAP RING	1				0,004		
40	0501.218.885		PUMP	1				0,000		
60	0501.329.172		CHAIN	1				0,071		
80	1087.210.266		SPROCKET WHEEL	1			KPL. VERB.TOLERANZ	0,000		
/110	---		SPROCKET WHEEL	1			WTB	0,000		
/120	0501.326.875		UNDULATSPRING	1				0,700		
/130	0501.323.708		PISTON RING	1				0,007		
/140	0501.326.909		ANGLE DISC	1				0,010		
100	1087.210.354		CENTERING PLATE	1			KPL.	0,000		
110	0736.010.388		TORX SCREW	6			M6X24	0,003		
200	0734.313.893		ROUND SEALING RING	1			271X3	0,008		
210	---		SHIM	1			S= 2,00- 3,40( ABSTUFUNG:0,20MM)	0,000		
---	0501.324.915		SHIM	1			T=3,4 IN 0501 324 907(2)	0,028		
---	0501.324.914		SHIM	1			T=3,2	0,041		
---	0501.324.913		SHIM	1			T=3,0	0,039		
---	0501.324.912		SHIM	1			T=2,8	0,036		
---	0501.324.911		SHIM	1			T=2,6	0,033		
---	0501.324.910		SHIM	1			T=2,4	0,031		
---	0501.324.909		SHIM	1			T=2,2	0,028		
---	0501.324.908		SHIM	1			T=2,0	0,028		
230	0736.300.068		TORX SCREW	14			M8X70	0,013		



# Parts list

Page 1 from 1

Material number: 1087.016.008

8 HP 70 HIS SW /

Material-assembly-group-no: 1090.114.823



Pos.	Material number	Customer material	Name	Quantity	ME	Amend. no.	Techn. Info.	Weight	Rep kit	Alternative material
10	0501.326.060		NEEDLE SLEEVE	1				0,104		
20	1087.314.026		SNAP RING	1				0,007		
30	0501.326.212		SEALING SLEEVE	1		Z00004276310		0,033		
34	1087.342.136		SNAP RING	1				0,007		
50	0735.300.104		BALL BEARING	1			35,0X72,0X17,0	0,290		
70	1087.314.023		SNAP RING	1				0,022		
90	0734.319.633		SHAFT SEAL	1				0,027		
100	0730.112.642		SHIM	1		Z00004276310	A=1,00	0,005		
120	1087.314.025		OUTPUT FLANGE	1			Z=43	0,867		
140	0501.327.252		SEALING RING	1			28X35,5X5,2	0,007		
160	0501.324.215		COLLAR NUT	1		Z00004276310	M27X1,5	0,053		

# Parts list

Page 1 from 1

Material number: 1087.016.008

8 HP 70 HIS SW /

Material-assembly-group-no: 1087.322.302



Pos.	Material number	Customer material	Name	Quantity	ME	Amend. no.	Techn. Info.	Weight	Rep kit	Alternative material
	1087.322.302		CONVERTER	1				0,000		

# Parts list

Page 1 from 1

Material number: 1087.016.008

8 HP 70 HIS SW /

Material-assembly-group-no: 1087.124.845



Pos.	Material number	Customer material	Name	Quantity	ME	Amend. no.	Techn. Info.	Weight	Rep kit	Alternative material
10	1087.324.022		PIN	1				0,055		
20	0501.321.922		SCREW PLUG	1				0,032		
40	1087.324.074		PAWL	1				0,243		
60	1090.324.013		LEG SPRING	1				0,004		
80	1087.224.031		CONNECTING BAR	1				0,082		
110	1087.324.139		GUIDING PLATE	1				0,083		
120	1087.324.045		HEXALOBULAR DRIVING SCREW	3			M6X20*PRECOTE 85-3	0,007		

# Parts list

Page 1 from 1

Material number: 1087.016.008

8 HP 70 HIS SW /

Material-assembly-group-no: 1090.126.803



Pos.	Material number	Customer material	Name	Quantity	ME	Amend. no.	Techn. Info.	Weight	Rep kit	Alternative material
30	0736.101.354		TORX SCREW	5			M5X60 IN 0736 101 351(1)	0,010		
110	1087.227.028		WIRING HARNESS	1			8HP E-SCHALT PZYL HIS OHNE SCHLAUCH	0,051		
/100	6029.201.996		PLUG	1			8POL BU MLK KOSTAL 8HP	0,000		
/200	6029.207.902		PLUG	1			2POL ST MPQ 2.8 0,5/0,5	0,027		
/201	0659.120.090		LINE	480				0,000		
/202	0659.120.086		LINE	480				0,000		
/300	6029.201.997		PLUG	1			2POL BU SLK 2,8 GF30	0,000		
/301	0659.120.119		LINE	375				0,000		
/302	0659.120.196		LINE	375				0,000		
/6003	0659.145.056		INSULATING HOSE	190			4,5X0,5	0,000		
/9201	0501.324.947		BOTTOM	1			KABELKANAL	0,000		
/9202	0501.324.946		COVER	1			KABELKANAL	0,000		

# Parts list

Page 1 from 1

Material number: 1087.016.008

8 HP 70 HIS SW /

Material-assembly-group-no: 1087.127.900



Pos.	Material number	Customer material	Name	Quantity	ME	Amend. no.	Techn. Info.	Weight	Rep kit	Alternative material
850	1068.327.144		CAP	1				0,005		

## Parts list

Page 1 from 1

Material number: 1087.016.008

8 HP 70 HIS SW /

Material-assembly-group-no: 1087.128.815



Pos.	Material number	Customer material	Name	Quantity	ME	Amend. no.	Techn. Info.	Weight	Rep kit	Alternative material
450	---		TORX SCREW	15			M6X59	0,000		
---	0736.101.348		TORX SCREW	15				0,015		
570	0736.101.375		TORX SCREW	4				0,002		
580	0736.101.375		TORX SCREW	1				0,002		
640	1087.227.004		PRESSURE TUBE	1			KPL.	0,010		
670	0501.216.364		GUIDE SLEEVE	1				0,017		
680	0501.327.294		OILVOLUME ACCU	1				1,157		

# Parts list

Page 1 from 1

Material number: 1087.016.008

8 HP 70 HIS SW /

Material-assembly-group-no: 1087.131.829



Pos.	Material number	Customer material	Name	Quantity	ME	Amend. no.	Techn. Info.	Weight	Rep kit	Alternative material
10	1087.231.238		PLANETARY DRIVE	1		Z00011123710	KPL.RS1/3PL.	2,087		
20	1087.331.027		SNAP RING	1				0,052		
30	1087.331.040		OIL TRAY	1				0,009		

# Parts list

Page 1 from 1

Material number: 1087.016.008

8 HP 70 HIS SW /

Material-assembly-group-no: 1087.132.818



Pos.	Material number	Customer material	Name	Quantity	ME	Amend. no.	Techn. Info.	Weight	Rep kit	Alternative material
10	1087.232.074		PLANETARY DRIVE	1			KPL.RS2*3PL*OPT.V1* OPT.MAGNETR.	0,000		
20	1087.331.040		OIL TRAY	1				0,009		
30	1087.232.068		INPUT SHAFT	1		Z00007011010	KPL.	2,400		
/110	1087.332.122		INPUT SHAFT	1				2,407		
/120	1087.332.037		SEALING SLEEVE	1			3L WANDLER	0,019		
/130	0501.327.169		PLUG	1			VERLÄNGERT	2,510		
/140	0501.327.169		PLUG	1			VERLÄNGERT	2,510		
50	1087.332.048		SNAP RING	1				0,009		
60	0501.325.138		ANGLE DISC	1				0,024		
80	0501.327.948		PISTON RING	5			31,4X2	0,001		
90	0501.327.948		PISTON RING	2			31,4X2	0,001		
120	1087.332.095		SUN GEAR	1		Z00011123710	RS1*RS2	0,853		



# Parts list

Page 1 from 1

Material number: 1087.016.008

8 HP 70 HIS SW /

Material-assembly-group-no: 1087.140.808



Pos.	Material number	Customer material	Name	Quantity	ME	Amend. no.	Techn. Info.	Weight	Rep kit	Alternative material
10	0501.327.470		AXIAL NEEDLE BEARING	1			50,8X67,5X4,0	0,029		
30	1087.340.011		SNAP RING	1			2X2 GRAD KONISCH	0,030		
50	1087.340.030		RING GEAR	1			RS3	0,658		
70	1087.340.011		SNAP RING	1			2X2 GRAD KONISCH	0,030		
100	1087.240.049		PLANETARY DRIVE	1				0,760		
120	0735.368.299		AXIAL NEEDLE BEARING	1			57,0X72,7X4,0	0,033		
140	1087.340.035		SNAP RING	1				0,052		
160	1091.240.017		SUN GEAR	1			KPL.RS3*OPT.V1	0,000		
170	0735.300.297		AXIAL NEEDLE BEARING	1			57,6X89,1X3,8	0,045		

# Parts list

Page 1 from 1

Material number: 1087.016.008

8 HP 70 HIS SW /

Material-assembly-group-no: 1087.142.823



Pos.	Material number	Customer material	Name	Quantity	ME	Amend. no.	Techn. Info.	Weight	Rep kit	Alternative material
10	1087.242.213		OUTPUT SHAFT	1				3,870		
20	0501.324.816		PLUG	1				0,001		
26	1087.342.073		SEALING CAP	1				0,001		
30	0735.368.316		AXIAL NEEDLE BEARING	1			31,4X48,4X5,0	0,028		
80	0501.326.444		PIN	4				0,140		
90	0501.325.404		NEEDLE CAGE	4				0,065		
100	1087.342.268		PLANET GEAR	4			RS4	0,311		
110	1087.342.159		THRUST WASHER	8				0,010		
160	1087.342.160		SNAP RING	1			A=1,50	0,022		
180	0501.325.661		CYLINDER	1				0,271		
200	1087.342.270		RING GEAR	1			RS4	0,948		
220	1087.342.135		POT	1			RS1	0,852		
240	1087.342.052		SNAP RING	1			2X2 GRAD KONISCH	0,039		
270	0734.307.424		PISTON RING	2				0,001		

# Parts list

Page 1 from 3

Material number: 1087.016.008

8 HP 70 HIS SW /

Material-assembly-group-no: 1090.150.004



Pos.	Material number	Customer material	Name	Quantity	ME	Amend. no.	Techn. Info.	Weight	Rep kit	Alternative material
10	1087.327.173		VALVE HOUSING	1				2,240		
30	0501.219.672		PARKING LOCK	1				0,000		
50	1068.327.119		FIXING PLATE	1			MV2	0,004		
70	0736.101.356		TORX SCREW	1			M5X12 IN 0736 101 351(1)	0,004		
80	0732.300.056		COMPRSPRING	1				0,003		
90	1087.327.111		PISTON	1				0,026		
100	1087.327.112		BUSH	1				0,004		
110	1068.327.006		SUPPORT PLATE	1				0,004		
140	1087.327.116		PISTON	1				0,011		
150	0732.041.337		COMPRSPRING	1				0,001		
170	1043.323.105		SUPPORT PLATE	1				0,002		
180	0732.300.054		COMPRSPRING	1				0,001		
200	1087.327.156		PISTON	1				0,012		
210	1068.327.160		PLUG	1			ENTHALT.IN 1068 327 158(2)	0,004		
220	1068.327.021		SPRING CLAMP	1				0,005		
230	1087.327.158		PISTON	1				0,008		
250	1068.327.160		PLUG	1			ENTHALT.IN 1068 327 158(2)	0,004		
270	1068.327.021		SPRING CLAMP	1				0,005		
280	1087.327.130		PISTON	1				0,007		
290	0732.042.853		COMPRSPRING	1			HYDR. SCHALTGERAET	0,003		
320	1043.323.105		SUPPORT PLATE	1				0,002		
326	0732.042.852		COMPRSPRING	1			HYDR. SCHALTGERAET	0,003		
330	1087.327.130		PISTON	1				0,007		
350	1068.327.151		PLUG	1			FUER KLAMMER	0,003		
370	1068.327.152		CLIP	1				0,002		
390	1087.327.207		PISTON	1		Z00011705310		0,008		

# Parts list

Page 2 from 3

Material number: 1087.016.008

8 HP 70 HIS SW /

Material-assembly-group-no: 1090.150.004



Pos.	Material number	Customer material	Name	Quantity	ME	Amend. no.	Techn. Info.	Weight	Rep kit	Alternative material
400	0732.043.511		COMPRSPRING	1		Z00011705310		0,002		
410	1068.327.151		PLUG	1			FUER KLAMMER	0,003		
420	1068.327.152		CLIP	1				0,002		
440	0732.042.853		COMPRSPRING	1			HYDR. SCHALTGERAET	0,003		
450	1087.327.130		PISTON	1				0,007		
460	1068.327.151		PLUG	1			FUER KLAMMER	0,003		
470	1068.327.152		CLIP	1				0,002		
490	1087.327.159		PISTON	1				0,008		
510	1068.327.151		PLUG	1			FUER KLAMMER	0,003		
520	1068.327.152		CLIP	1				0,002		
530	1087.327.159		PISTON	1				0,008		
550	1068.327.151		PLUG	1			FUER KLAMMER	0,003		
560	1068.327.152		CLIP	1				0,002		
590	0732.042.853		COMPRSPRING	1			HYDR. SCHALTGERAET	0,003		
600	1087.327.130		PISTON	1				0,007		
610	1068.327.151		PLUG	1			FUER KLAMMER	0,003		
620	1068.327.152		CLIP	1				0,002		
640	1087.327.157		PISTON	1				0,008		
660	1068.327.151		PLUG	1			FUER KLAMMER	0,003		
670	1068.327.152		CLIP	1				0,002		
690	1087.327.157		PISTON	1				0,008		
710	1068.327.151		PLUG	1			FUER KLAMMER	0,003		
720	1068.327.152		CLIP	1				0,002		
730	0501.325.143		SOLENOID VALVE	1				0,063		
740	0501.218.797		PRESSURE REGULATOR	1				0,088		
750	0501.218.796		PRESSURE REGULATOR	1				0,088		
760	0501.218.797		PRESSURE REGULATOR	1				0,088		
770	0501.218.797		PRESSURE REGULATOR	1				0,088		
780	0501.218.796		PRESSURE REGULATOR	1				0,088		

## Parts list

Page 3 from 3

Material number: 1087.016.008

8 HP 70 HIS SW /

Material-assembly-group-no: 1090.150.004



Pos.	Material number	Customer material	Name	Quantity	ME	Amend. no.	Techn. Info.	Weight	Rep kit	Alternative material
790	0501.218.797		PRESSURE REGULATOR	1				0,088		
800	0501.218.796		PRESSURE REGULATOR	1				0,088		
810	1068.327.146		FIXING PLATE	1				0,040		
820	0736.101.356		TORX SCREW	9			M5X12 IN 0736 101 351(1)	0,004		
830	1068.227.010		CLIP	1			KPL.	0,005		

# Parts list

Page 1 from 2

Material number: 1087.016.008

8 HP 70 HIS SW /

Material-assembly-group-no: 1087.151.028



Pos.	Material number	Customer material	Name	Quantity	ME	Amend. no.	Techn. Info.	Weight	Rep kit	Alternative material
10	1087.327.174		VALVE PLATE	1				2,020		
30	1087.327.043		PISTON	1			WD-V	0,008		
40	0732.041.921		COMPRSPRING	1				0,002		
60	1068.327.160		PLUG	1			ENTHALT.IN 1068 327 158(2)	0,004		
70	1068.327.021		SPRING CLAMP	1				0,005		
140	1085.327.010		PISTON	1			POSITIONS-VENTIL	0,003		
150	1085.327.009		PISTON	1			POSITIONS-VENTIL	0,010		
160	0732.300.050		COMPRSPRING	1				0,002		
170	1043.323.105		SUPPORT PLATE	1				0,002		
190	1087.327.238		PISTON	1		Z00012266810		0,006		
200	0732.300.159		COMPRSPRING	1		Z00012266810		0,002		
220	1043.323.105		SUPPORT PLATE	1				0,002		
240	1087.327.134		PISTON	1				0,006		
250	0732.041.856		COMPRSPRING	1				0,002		
270	1043.323.105		SUPPORT PLATE	1				0,002		
280	1087.327.130		PISTON	1				0,007		
310	0732.042.853		COMPRSPRING	1			HYDR. SCHALTGERAET	0,003		
320	1043.323.105		SUPPORT PLATE	1				0,002		
330	1087.327.130		PISTON	1				0,007		
350	0732.042.853		COMPRSPRING	1			HYDR. SCHALTGERAET	0,003		
360	1043.323.105		SUPPORT PLATE	1				0,002		
690	1068.227.022		VALVE	4				0,008		
710	1068.227.061		VALVE	1			KPL. IN 1060 227 018(2)	0,001		
730	1087.327.041		PISTON	1			SDB V	0,001		
740	0732.300.017		COMPRSPRING	1				0,002		
760	0501.216.254		SCREEN FILTER	1				0,001		
770	1068.327.098		BALL	6				0,149		
780	0501.311.653		SCREEN	1				0,002		

# Parts list

Page 2 from 2

Material number: 1087.016.008

8 HP 70 HIS SW /

Material-assembly-group-no: 1087.151.028



Pos.	Material number	Customer material	Name	Quantity	ME	Amend. no.	Techn. Info.	Weight	Rep kit	Alternative material
790	1068.327.143		SPHERICAL PIECE	1				0,001		
800	1068.227.039		PISTON	7				0,010		
820	1087.227.012		SUCTION CONNECTOR	1			KPL. *8HP* OELVERSORGUNG	0,017		
830	0501.227.048		INTERMEDIATE SHEET	1			E*E26/1/6*MECH-S1	0,271		
/10	1087.327.175		INTERMEDIATE SHEET	1			E*E26/1/6*MECH-S1	0,269		
/20	0501.324.233		GASKET	1			SIEBDRUCK	0,000		
840	0736.101.352		TORX SCREW	20				0,008		

# Parts list

Page 1 from 1

Material number: 1087.016.008

8 HP 70 HIS SW /

Material-assembly-group-no: 1087.170.815



Pos.	Material number	Customer material	Name	Quantity	ME	Amend. no.	Techn. Info.	Weight	Rep kit	Alternative material
10	1087.370.023		PISTON	1			A	0,163		
30	0501.324.937		LIP SEALING RING	1			129,9X139,9X3,9X2,5	0,007		
50	0501.324.936		LIP SEALING RING	1				0,005		
70	0501.324.776		CUP SPRING	1			A	0,110		
80	1087.370.014		SPLIT RING	1			A	0,016		
90	0501.327.470		AXIAL NEEDLE BEARING	1			50,8X67,5X4,0	0,029		
100	0501.323.623		ANGLE DISC	1				0,012		
110	---		SUN GEAR SHAFT	1			*8HP70	0,000		
120	0501.324.839		UNDULATSPRING	1				0,032		
130	1087.370.009		OCLUTCH DISC	5			A	0,083		
140	0501.324.212		FRICTION PLATE	5				0,035		
150	1087.370.010		OCLUTCH DISC	1			ENDLAMELLE A	0,138		
160	---		SNAP RING	1			S= 1,80- 3,00( ABSTUFUNG:0,20MM)	0,000		
---	0730.514.136		SNAP RING	1			A=3,00	0,046		
---	0730.514.135		SNAP RING	1			A=2,80	0,043		
---	0730.514.134		SNAP RING	1			A=2,60	0,040		
---	0730.514.133		SNAP RING	1			A=2,40	0,037		
---	0730.514.132		SNAP RING	1			A=2,20	0,034		
---	0730.514.131		SNAP RING	1			A=2,00	0,031		
---	0730.514.130		SNAP RING	1			A=1,80	0,028		
220	0501.327.470		AXIAL NEEDLE BEARING	1			50,8X67,5X4,0	0,029		



# Parts list

Page 1 from 1

Material number: 1087.016.008

8 HP 70 HIS SW /

Material-assembly-group-no: 1087.171.008



Pos.	Material number	Customer material	Name	Quantity	ME	Amend. no.	Techn. Info.	Weight	Rep kit	Alternative material
10	1087.271.013		CYLINDER	1		Z00005930310		0,550		
30	0501.324.843		UNDULATSPRING	1				0,028		
40	1087.375.024		ICLUTCH DISC	5			A=2.1 IN 1087 375 016(1)	0,126		
50	0501.324.268		FRICTION PLATE	5				0,054		
60	---		ICLUTCH DISC	1			S= 3,00- 4,50( ABSTUFUNG:0,30MM)	0,000		
---	1087.375.023		ICLUTCH DISC	1			A=4.5 IN 1087 375 016(1)	0,269		
---	1087.375.022		ICLUTCH DISC	1			A=4.2 IN 1087 375 016(1)	0,252		
---	1087.375.021		ICLUTCH DISC	1			A=3.9 IN 1087 375 016(1)	0,234		
---	1087.375.020		ICLUTCH DISC	1			A=3.6 IN 1087 375 016(1)	0,216		
---	1087.375.019		ICLUTCH DISC	1			A=3.3 IN 1087 375 016(1)	0,198		
---	1087.375.018		ICLUTCH DISC	1			A=3.0 IN 1087 375 016(1)	0,180		
70	0501.326.356		CUP SPRING	1				0,093		
80	0734.313.895		ROUND SEALING RING	1			38,5X2,65	0,001		
90	0734.300.255		ROUND SEALING RING	1			41X1,5	0,001		
100	0501.328.074		PISTON	1			E	0,000		
110	1087.371.019		SUPPORT SHIM	1				0,122		
120	0501.323.394		LIP SEALING RING	1			93X103X3,9X2,5	0,005		
140	1087.371.015		WIRE RING	1				0,008		

# Parts list

Page 1 from 1

Material number: 1087.016.008

8 HP 70 HIS SW /

Material-assembly-group-no: 1087.172.816



Pos.	Material number	Customer material	Name	Quantity	ME	Amend. no.	Techn. Info.	Weight	Rep kit	Alternative material
10	0501.327.896		UNDULATSPRING	1				0,051		
20	1087.372.077		OCLUTCH DISC	5				0,127		
30	0501.329.947		FRICTION PLATE	5				0,000		
40	---		OCLUTCH DISC	1		Z00007682810	S= 4,60- 5,80( ABSTUFUNG:0,20MM)	0,000		
---	1087.372.074		OCLUTCH DISC	1			A=5,8	0,432		
---	1087.372.073		OCLUTCH DISC	1			A=5,6	0,417		
---	1087.372.014		OCLUTCH DISC	1			A=5,4 IN 1087 372 010(1)	0,358		
---	1087.372.072		OCLUTCH DISC	1			A=5,2	0,388		
---	1087.372.071		OCLUTCH DISC	1			A=5,0	0,374		
---	1087.372.012		OCLUTCH DISC	1			A=4,8 IN 1087 372 010(1)	0,318		
---	1087.372.070		OCLUTCH DISC	1			A=4,6 A=4,6	0,345		
100	1087.372.044		PISTON	1				0,357		
110	0501.323.398		LIP SEALING RING	1				0,009		
120	0501.325.522		PROFILE SEALING RING	1				0,008		
130	0501.328.075		CYLINDER	1			B	0,186		
140	0734.313.894		ROUND SEALING RING	1			198X2,65	0,005		

# Parts list

Page 1 from 1

Material number: 1087.016.008

8 HP 70 HIS SW /

Material-assembly-group-no: 1087.173.806



Pos.	Material number	Customer material	Name	Quantity	ME	Amend. no.	Techn. Info.	Weight	Rep kit	Alternative material
30	1087.273.008		PISTON	1			KPL. IN 1087 273 007(2)	0,662		
50	0734.313.221		ROUND SEALING RING	1			62X2,65	0,001		
70	0501.324.778		CUP SPRING	1			D	0,114		
80	1087.373.013		OIL DAM	1			D	0,228		
100	0734.313.007		ROUND SEALING RING	1			ENTHALT.IN 0734 313 005(1)	0,002		
120	0501.324.842		UNDULATSPRING	1				0,035		
140	1087.373.023		OCLUTCH DISC	4			D IN 1087 373 022(1)	0,118		
160	0501.326.037		FRICTION PLATE	4			L=2,12	0,054		
170	1087.373.024		OCLUTCH DISC	1			D ENDLAMELLE GENOPPT	0,177		
180	---		SNAP RING	1			S= 1,60- 2,80( ABSTUFUNG:0,20MM)	0,000		
---	0730.514.107		SNAP RING	1			A=2,80	0,047		
---	0730.514.106		SNAP RING	1			A=2,60	0,044		
---	0730.514.105		SNAP RING	1			A=2,40	0,041		
---	0730.514.104		SNAP RING	1			A=2,20	0,037		
---	0730.514.103		SNAP RING	1			A=2,00	0,034		
---	0730.514.102		SNAP RING	1			A=1,80	0,030		
---	0730.514.101		SNAP RING	1			A=1,60	0,027		
250	1087.373.030		POT	1				0,910		

# Parts list

Page 1 from 1

Material number: 1087.016.008

8 HP 70 HIS SW /

Material-assembly-group-no: 1102.175.800



Pos.	Material number	Customer material	Name	Quantity	ME	Amend. no.	Techn. Info.	Weight	Rep kit	Alternative material
10	1087.375.032		HUB	1				0,294		
20	0734.313.896		ROUND SEALING RING	2			31,5X2 IN 0734 313 005(0)	0,001		
50	1087.375.012		CYLINDER	1			C	0,407		
60	0501.324.841		UNDULATSPRING	1				0,032		
80	1087.375.024		ICLUTCH DISC	6			A=2.1 IN 1087 375 016(1)	0,126		
100	0501.324.268		FRICTION PLATE	6				0,054		
110	---		ICLUTCH DISC	1			S= 3,00- 4,50( ABSTUFUNG:0,30MM)	0,000		
---	1087.375.023		ICLUTCH DISC	1			A=4.5 IN 1087 375 016(1)	0,269		
---	1087.375.022		ICLUTCH DISC	1			A=4.2 IN 1087 375 016(1)	0,252		
---	1087.375.021		ICLUTCH DISC	1			A=3.9 IN 1087 375 016(1)	0,234		
---	1087.375.020		ICLUTCH DISC	1			A=3.6 IN 1087 375 016(1)	0,216		
---	1087.375.019		ICLUTCH DISC	1			A=3.3 IN 1087 375 016(1)	0,198		
---	1087.375.018		ICLUTCH DISC	1			A=3.0 IN 1087 375 016(1)	0,180		
120	0501.324.777		CUP SPRING	1			C	0,085		
130	0734.313.895		ROUND SEALING RING	2			38,5X2,65	0,001		
160	0501.328.073		PISTON	1			C	0,476		
180	1087.375.014		SUPPORT SHIM	1			C	0,095		
200	0501.324.413		LIP SEALING RING	1			81,8X91,8X3,9X2,5	0,004		
220	0730.514.098		SNAP RING	1				0,010		
300	1087.242.173		SUN GEAR SHAFT	1				1,639		
330	0735.368.316		AXIAL NEEDLE BEARING	1			31,4X48,4X5,0	0,028		
350	0735.368.316		AXIAL NEEDLE BEARING	1			31,4X48,4X5,0	0,028		

# Parts list

Page 1 from 1

Material number: 1087.016.008

8 HP 70 HIS SW /

Material-assembly-group-no: 1087.192.050



Pos.	Material number	Customer material	Name	Quantity	ME	Amend. no.	Techn. Info.	Weight	Rep kit	Alternative material
	1087.192.050		CONSERVATION	1			KA 0/KI 1*ZFN916* PRUEFST. *8,200DM3 GE/WT	0,000		

# Parts list

Page 1 from 1

Material number: 1087.016.008

8 HP 70 HIS SW /

Material-assembly-group-no: 1087.197.933



Pos.	Material number	Customer material	Name	Quantity	ME	Amend. no.	Techn. Info.	Weight	Rep kit	Alternative material
10	1071.397.042		RETAINING CLIP	1			6HP19 TUE / N47, N57	0,153		
20	---		BOLT+NUT	1			M10X55	0,000		
---	0636.015.136		HEXAGON BOLT	1			M10X55	0,038		
---	0637.006.022	0637 006 022	HEXAGON NUT	1			M10	0,010		
22	---		BOLT+NUT	1			M10X40	0,000		
---	0636.015.130	2000002003	HEXAGON BOLT	1			M10X40	0,034		
---	0637.006.022	0637 006 022	HEXAGON NUT	1			M10	0,010		
30	---		HEXAGON BOLT	1			M10X16	0,000		
---	0636.015.270	1000000358	HEXAGON BOLT	1			M10X16	0,020		

# Parts list

Page 1 from 1

Material number: 1087.016.008

8 HP 70 HIS SW /

Material-assembly-group-no: 6058.008.065



Pos.	Material number	Customer material	Name	Quantity	ME	Amend. no.	Techn. Info.	Weight	Rep kit	Alternative material
	6058.008.065		E-MODUL 8-GANG	1		Z00006410318	D2-MUSTER	0,600		