

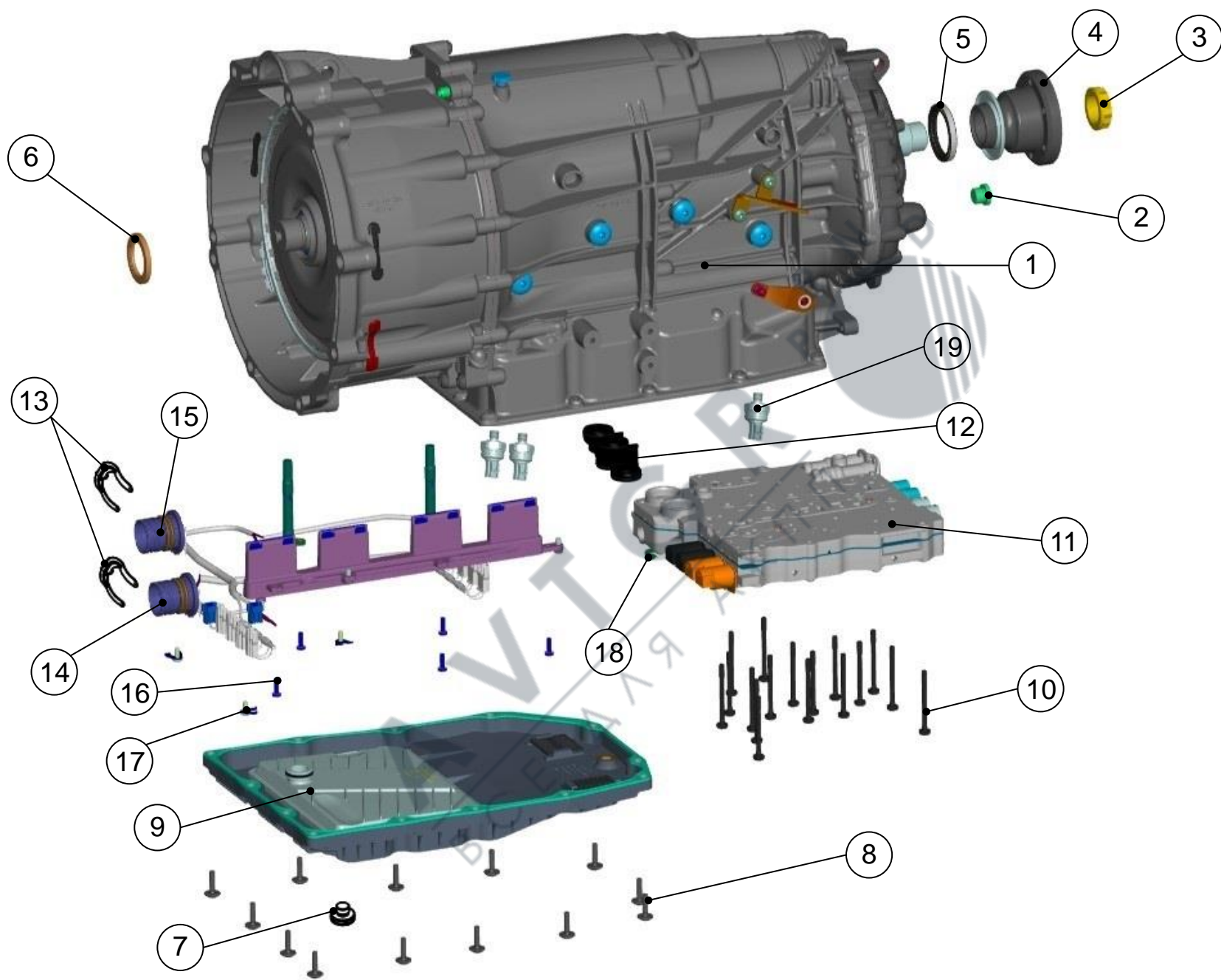
# Ersatzteilkatalog DT12

## Spare Part Catalog DT12



### Panamera 970

ZF-Stücklisten-Nr. ZF- Part Number	Porsche-Stücklisten-Nr. PAG Part Number	Fahrzeug Vehicle
1086.020.012	970.300.011.01	2WD-V6S G1.1
1086.020.013	970.300.011.06	2WD-V8S G1.1
1086.020.016	970.300.011.10	2WD-V6S/BT G1.2
1086.010.018	970.300.011.31	4WD-V6S G1.1
1086.010.019	970.300.011.36	4WD-V8S G1.1
1086.010.020	970.300.011.52	4WD-V8T G1.1
1086.010.026	970.300.011.61	4WD-V8T G1.2
1086.010.027	970.300.011.16	4WD-V6S/BT G1.2



# Ersatzteilkatalog DT12

## Spare Part Catalog DT12



Pos.	ZF-Sachnummer	Porsche-Sachnummer	ZF-Benennung	Porsche-Benennung	ZF-designation	Menge quantity	Zusatzinfo Add. Info	V6S G1.1	V8S G1.1	V6S/V6T G1.2	V6S G1.1	V8S G1.1	V8T G1.1	V6S/V6T G1.2	V8T G1.2
1	1086.020.012	970.300.011.01	7 DT 75	Z PDK-Getriebe	7 DT 75		2WD*SERIE*V6S	x							
1	1086.020.013	970.300.011.06	7 DT 75	Z PDK-Getriebe	7 DT 75		2WD*SERIE*V8S		x						
1	1086.020.016	970.300.011.10	7 DT 75	Z PDK-Getriebe	7 DT 75		2WD*SERIE*V6S/V6T			x					
1	1086.010.018	970.300.011.31	7 DT 75 A	Z PDK-Getriebe	7 DT 75 A		4WD*SERIE*V6S				x				
1	1086.010.019	970.300.011.36	7 DT 75 A	Z PDK-Getriebe	7 DT 75 A		4WD*SERIE*V8S					x			
1	1086.010.020	970.300.011.52	7 DT 75 A	Z PDK-Getriebe	7 DT 75 A		4WD*SERIE*V8T						x		
1	1086.010.027	970.300.011.16	7 DT 75 A	Z PDK-Getriebe	7 DT 75 A		4WD*SERIE*V6S/V6T							x	
1	1086.010.026	970.300.011.61	7 DT 75 A	Z PDK-Getriebe	7 DT 75 A		4WD*SERIE*V8T								x
2	0501.323.769	970.321.805.00	VERSCHL.SCHR.	Verschlussschraube. M18x1.5	SCREW PLUG	1	M18 X 1.5	x	x	x	x	x	x	x	x
3	0737.300.030	970.302.824.00	12KT.MUTTER	Zwoelfkantmutter M33x1.5	12-EDGED NUT	1	M33x1.5	x	x	x	x	x	x	x	x
4	1086.236.037	970.302.305.01	ABTRIEBSFLANSCH	Abtriebsflansch	OUTPUT FLANGE	1		x	x	x	x	x		x	
4	1086.236.035	970.302.305.51	ABTRIEBSFLANSCH	Abtriebsflansch	OUTPUT FLANGE	1							x		x
5	0734.319.819	970.321.807.00	WELLENDICHRING	Wellendichtring 50x65x8	SHAFT SEAL	1	50X65X8	x	x	x	x	x	x	x	x
6	0734.300.240	9G1.116.807.00	RADIALDICHRING	Wellendichtring	SHAFT SEAL	1	40X57X6	x	x	x	x	x	x	x	x
7	0501.217.058	970.321.825.00	OELABLASSSCHRAUBE	Ablassstopfen m. Dichtring	OIL DRAIN PLUG	1	inkl. Dichtung; incl. Seal	x	x	x	x	x	x	x	x
8	0736.101.486	970.321.809.00	TORXSCHRAUBE	Flachkopfschraube M6x28.5	TORX SCREW	14	M6X28.5	x	x	x	x	x	x	x	x
9	0501.217.397	970.321.025.00	OELWANNE	Z Oelwanne kpl.	OIL SUMP	1	inkl. Filter; incl. Oilfilter	x	x	x	x	x	x	x	x
10	0736.101.589	970.317.803.00	TORXSCHRAUBE	Flachkopfschraube M6x70	TORX SCREW	17	M6X70	x	x	x	x	x	x	x	x
11	1086.127.316	970.317.015.00	SCHALTGERAET	Steuergeraet hydraulisch	CONTROL UNIT	1	teach in required	x	x	x					
11	1086.127.315	970.317.015.30	SCHALTGERAET	Steuergeraet hydraulisch	CONTROL UNIT	1	teach in required				x	x	x	x	x
12	0501.217.676	970.317.875.00	ADAPTER	Adapter	ADAPTER	1		x	x	x	x	x	x	x	x
13	1058.327.026	9G1.303.803.00	HALTEKLAMMER	Halteklemme	RETAINING CLAMP	2		x	x	x	x	x	x	x	x
14	6029.050.020	970.317.615.00	KABELBAUM	Kabelstrang	WIRING HARNESS	1	DT12 AKTUATORIK 2WD	x	x	x					
14	6029.050.018	970.317.615.30	KABELBAUM	Kabelstrang	WIRING HARNESS	1	DT12 AKTUATORIK 4WD				x	x	x	x	x
15	0501.218.963	970.317.085.00	SENSOREINHEIT	Sensor kpl.	SENSOR UNIT	1	DT12 Sensorik 2WD; teach in required	x	x	x					
15	0501.218.962	970.317.085.30	SENSOREINHEIT	Sensor kpl.	SENSOR UNIT	1	DT12 Sensorik 4WD; teach in required				x	x	x	x	x
16	0736.300.032	970.317.805.00	TORXSCHRAUBE	Flachkopfschraube M5x16	TORX SCREW	7	M5X16	x	x	x	x	x	x	x	x
17	0501.325.582	970.317.891.00	KABELKLEMME	Kabelclip	CABLE TERMINAL	1		x	x	x	x	x	x	x	x
18	0501.323.559	970.317.827.00	KABELKLEMME	Halteklemme	CABLE TERMINAL	1		x	x	x	x	x	x	x	x
19	0501.326.481	9G1.307.385.05	DRUCKSENSOR	DRUCKSENSOR	PRESSURE SENSOR	2	change of 0501.218.963 required!	x	x	x					
19	0501.326.481	9G1.307.385.05	DRUCKSENSOR	DRUCKSENSOR	PRESSURE SENSOR	3	change of 0501.218.962 required!				x	x	x	x	x