



# Spare Parts Catalog

8 HP 90 SW

Material number: 1091.012.002

ZF Friedrichshafen AG

Hauptverwaltung

80038 Friedrichshafen

Deutschland

Telefon: +49 7541 77-0

Telefax: +49 7541 77-908000

[www.zf.com](http://www.zf.com)

zuständiges Werk:

Saarbrücken



Pos.	Information	Amendment number
001	Use case -----	
002	Customer Bayerische Motoren Werke (BMW)	
003	City Muenchen	
004	DUNS 31-536-9934	
005	Vehicle / Apparatus -----	
006	Sales Name BMW 760I	
007	Manufacturer Bayerische Motoren Werke (BMW)	
008	Engineering Name F01	
009	Product Use CAR	
010	Vehicle/Hardware Type LIMOUSINE	
011	SOP	
012	Engine	
013	Sales Designation N74B60	
014	Manufacturer Bayerische Motoren Werke (BMW)	
015	Drivetrain type GAS	
016	Eng.Displ. 5972 cm3	
017	Cylinder 12	
018	Nom. power 400 kW	
019	RPM at nom. power 5600 1/min	
020	Nom. torque 750 Nm	
021	RPM at nom. torque 3300 1/min	
022	Classification use case -----	
023	CODE, CUSTOMER W8V	
027	Product description -----	
028	INSTALLATION POS TRANSMISSION LENGTHWISE	
029	DESIGN, CONSTRUCTION STAGE PVS	
031	CODE, CUSTOMER W8V	
033	Documents -----	
034	TRANSMISSION Drawing 1091.610.001	
035	K3_8HP90_N74B60U0 Graphic 000000209791	
036	8 HP 90 SW Drawing 1091.012.006	
037	Alias ID -----	

# Technical Cover

Page 2 from 2

Material number: 1091.012.002

8 HP 90 SW /



Pos.	Information	Amendment number
038	Bayerische Motoren Werke (BMW) 2400-7597405	

# Assembly group overview

Material number: 1091.012.002

8 HP 90 SW /

Page 1 from 1



Graphics	Pos.	Material number	Name	Quantity	Amend. no.	Techn. Info.
177.28.01-1	KIT	1091.198.998	MECHATRONIC	1		
177.c1.01-1	710	1091.010.002	8 HP 90	1		
	KIT	1084.298.002	TORX SCREW	1		

# Plant

Page 1 from 1

Material number: 1091.012.002

Plant: 177.28.01-1

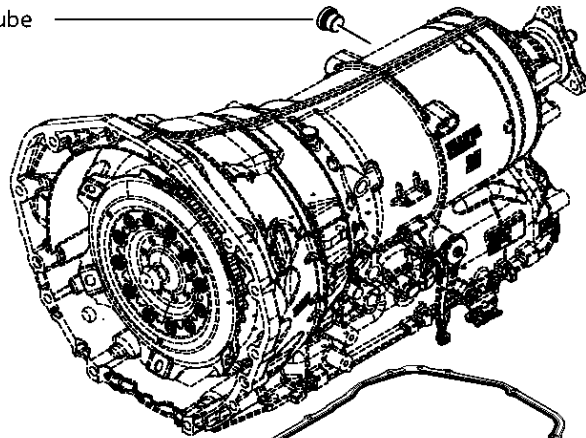
Material-assembly-group-no: 1091.198.998

8 HP 90 SW /

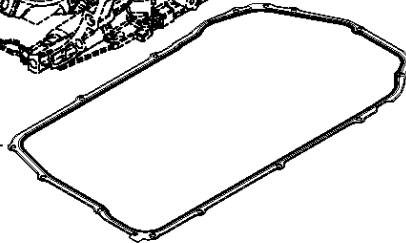
MECHATRONIC



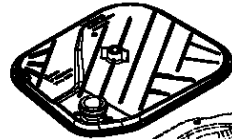
Verschl.-Schraube  
Screw Plug



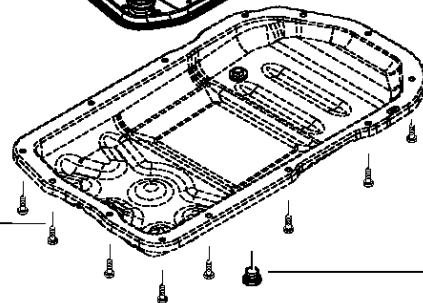
Dichtung  
Gasket



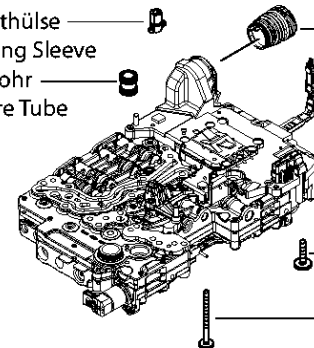
Filter  
Filter



Torxschraube (13x)  
Torx screw



Dichthülse  
Sealing Sleeve  
Druckrohr  
Pressure Tube



Führungshülse  
Guide Sleeve

Mechatronic

Torxschraube (4x)  
Torx screw

Torxschraube (14x)

Verschl.-Schraube  
Screw Plug

Torx screw

8 HP 90  
BMW

# Parts list

Page 1 from 1

Material number: 1091.012.002

8 HP 90 SW /

Plant: 177.28.01-1

Material-assembly-group-no: 1091.198.998



Pos.	Material number	Customer material	Name	Quantity	ME	Amend. no.	Techn. Info.	Weight	Rep kit	Alternative material
20	0501.327.508		SEALING SLEEVE	1				0,002		
450	0736.101.348		TORX SCREW	14				0,015		
570	0736.101.375		TORX SCREW	4				0,002		
640	1087.227.004		PRESSURE TUBE	1			KPL.	0,010		
670	0501.216.364		GUIDE SLEEVE	1				0,017		
700	0637.900.038		PLUG	1				0,004		
720	6059.312.015		SOFTWARE	1			890J4610.HEX	0,000		
900	1091.128.351		MECHATRONIC	1			E*INT.EGS*MECH-S1*GD	0,000		
/910	1087.151.029		VALVE PLATE	1			E*MECH-S1*GD	0,000		
/910	6058.008.066		E-MODUL 8-GANG	1		Z00006410311	D2-MUSTER	0,600		
/920	1087.126.823		MODULE	1		Z00006410311	ANBAU*C-MUSTER*INT EGS	0,000		
/920	1087.127.846		CONTROL UNIT	1			ANBAU	0,000		
500	1091.298.025		FILTER	1			+DICHTUNG+TORXSCHR.ETC.*8HP90*BMW*NEUENER-DICHTUNG	1,180		

# Plant

Page 1 from 1

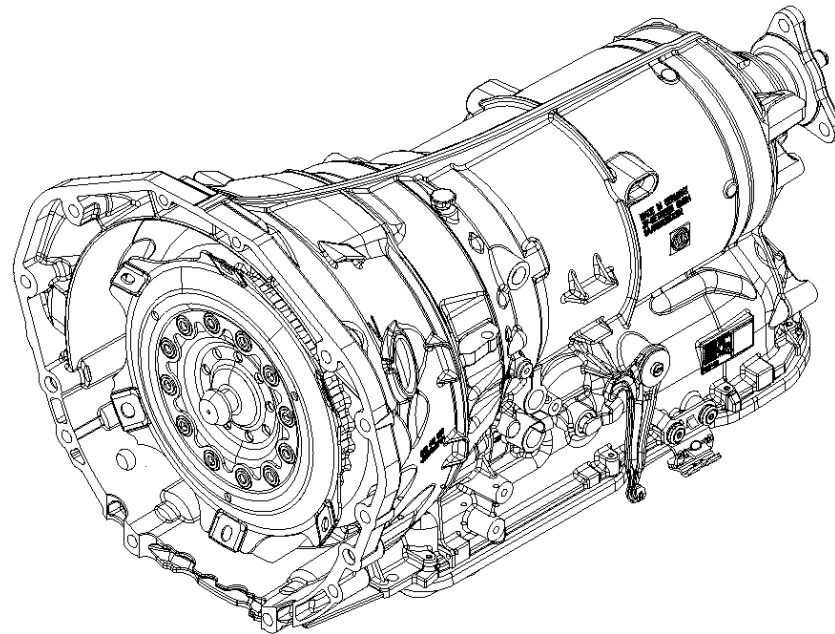
Material number: 1091.012.002

Plant: 177.c1.01-1

Material-assembly-group-no: 1091.010.002

8 HP 90 SW /

8 HP 90



8 HP 90  
BMW

# Parts list

Page 1 from 1

Material number: 1091.012.002

8 HP 90 SW /

Material-assembly-group-no: 1084.298.002



Pos.	Material number	Customer material	Name	Quantity	ME	Amend. no.	Techn. Info.	Weight	Rep kit	Alternative material
10	0736.300.500		TORX SCREW	13			M6X19,5	0,002		



# Assembly group overview

Material number: 1091.010.002

8 HP 90 SW /

Page 1 from 2



Graphics	Pos.	Material number	Name	Quantity	Amend. no.	Techn. Info.
	118	1091.101.831	GEARBOX HOUSING	1		
	120	1090.101.906	GEARBOX HOUSING	1		
	170	1091.102.806	INPUT	1		
	300	1091.103.809	OIL SUMP	1		
	228	1087.106.815	GEAR SHIFT SYSTEM	1		
	198	1091.110.803	OIL SUPPLY	1		
	900	1091.110.021	OIL SUPPLY	1		
	138	1087.114.821	OUTPUT	1		
	320	1091.322.069	CONVERTER	1		
	248	1091.124.818	PARKING LOCK	1		
	920	1087.126.823	MODULE	1		
	280	1087.127.900	MECHATRONIC	1		
	920	1087.127.846	CONTROL UNIT	1		
	278	1087.128.802	MECHATRONIC	1		
	980	1091.131.808	PLANETARY DRIVE	1		
	970	1091.132.807	PLANETARY DRIVE	1		
	960	1091.140.806	PLANETARY DRIVE	1		
	900	1091.142.807	PLANETARY DRIVE	1		
	900	1091.142.037	PLANETARY DRIVE	1		
	910	1087.151.029	VALVE PLATE	1		
	920	1091.170.809	COUPLING	1		
	950	1091.171.006	COUPLING	1		
	160	1091.172.814	COUPLING	1		
	910	1091.172.808	COUPLING	1		
	910	1091.173.805	COUPLING	1		
	920	1091.173.804	COUPLING	1		
	930	1091.175.808	COUPLING	1		
	940	1091.175.003	COUPLING	1		
	84	1091.192.004	CONSERVATION	1		
	62	1091.197.901	PACKING	1		
177.06.01-1	KIT	1091.298.026	GEAR SHIFT SYSTEM	1		

# Assembly group overview

Material number: 1091.010.002

8 HP 90 SW /

Page 2 from 2



Graphics	Pos.	Material number	Name	Quantity	Amend. no.	Techn. Info.
177.03.11-1	KIT	1091.298.025	FILTER	1		
177.03.01-1	KIT	1091.298.024	OIL SUMP	1		
177.22.11-1	KIT	1091.298.008	SEAL KIT	1		
177.22.01-1	KIT	1091.298.007	CONVERTER	1		
177.14.11-1	KIT	1091.298.005	OUTPUT FLANGE	1		
177.14.01-1	KIT	1091.298.004	OUTPUT	1		
177.01.11-1	KIT	1091.298.003	SMALL COMPONENTS SET	1		
168.06.11-1	KIT	1087.298.004	EMERGENCY RELEASE	1		
009.g3.01-1	KIT	1043.298.121	CLOSING COMPONENTS	1		
	910	6058.008.066	E-MODUL 8-GANG	1		

# Parts list

Page 1 from 1

Material number: 1091.010.002

8 HP 90 SW /

Material-assembly-group-no: 1091.101.831



Pos.	Material number	Customer material	Name	Quantity	ME	Amend. no.	Techn. Info.	Weight	Rep kit	Alternative material
70	0501.314.851		BREATHER TUBE	1				0,006		
80	0501.314.809		BREATHER COVER	1				0,001		
100	0501.321.921		SCREW PLUG	1			M10X1	0,008		
140	0501.326.152		PLUG	1				0,003		
180	0501.321.922		SCREW PLUG	1				0,032		
840	0666.692.055		CODE LABEL	1				0,001		

# Parts list

Page 1 from 1

Material number: 1091.010.002

8 HP 90 SW /

Material-assembly-group-no: 1091.102.806



Pos.	Material number	Customer material	Name	Quantity	ME	Amend. no.	Techn. Info.	Weight	Rep kit	Alternative material
50	0735.368.318		AXIAL NEEDLE BEARING	1			50,8x81,0x4,0	0,041		
70	1087.231.187		RING GEAR	1		Z00006007710		2,304		
80	0501.327.284		ANGLE DISC	1				0,030		
170	0734.313.897		ROUND SEALING RING	1			23,52X1,78	0,003		

# Parts list

Page 1 from 1

Material number: 1091.010.002

8 HP 90 SW /

Material-assembly-group-no: 1091.103.809



Pos.	Material number	Customer material	Name	Quantity	ME	Amend. no.	Techn. Info.	Weight	Rep kit	Alternative material
10	0501.217.631		OIL SUMP	1			KPL.	0,756		
30	0736.300.500		TORX SCREW				M6X19,5	0,002		1084.298.002
40	0501.326.933		ADHESIVE LABEL	1				0,001		
50	0501.327.009		GASKET	1				0,053		
200	0501.217.650		OIL FILTER	1				0,400		
30	1084.298.002		TORX SCREW	1			ALU FUER OELWANNE*6HP28AF *AUDI*	0,034		

# Parts list

Page 1 from 1

Material number: 1091.010.002

8 HP 90 SW /

Material-assembly-group-no: 1087.106.815



Pos.	Material number	Customer material	Name	Quantity	ME	Amend. no.	Techn. Info.	Weight	Rep kit	Alternative material
10	0734.319.801		SHAFT SEAL	1			10X18X5	0,002		
30	1087.206.019		SELECTOR SHAFT	1				0,060		
50	1087.206.028		PARKING LOCK DISC	1				0,107		
60	0501.324.683		CLAMPING SLEEVE	1				0,003		
90	1087.306.055		LEG SPRING	1				0,021		
130	1087.206.030		ANGLE BRACKET	1				0,101		
/110	1087.306.047		ANGLE BRACKET	1				0,063		
/120	1087.306.043		ANGLE BRACKET	1				0,021		
/130	---		HEXAGON BOLT	1			M6X18	0,000		
---	1087.306.044		HEXAGON BOLT	1				0,008		
/140	0501.326.132		RUBBER SOCKET	2				0,001		
/150	1068.306.074		BUSH	2			NOTENTRIEGELUNG* BMW	0,004		
170	0736.300.109		CAP SCREW	2			M6X15,8 M6X15,8	0,011		
180	1087.206.024		RELEASE LEVER	1				0,087		
210	1087.206.026		SCREW	1				0,016		

# Parts list

Page 1 from 1

Material number: 1091.010.002

8 HP 90 SW /

Material-assembly-group-no: 1091.110.803



Pos.	Material number	Customer material	Name	Quantity	ME	Amend. no.	Techn. Info.	Weight	Rep kit	Alternative material
10	1091.210.038		INTERMPLATE	1		Z00005936910		4,075		
20	0735.298.399		NEEDLE SLEEVE	1			W-KAEFIG 33,0X39, 0x21,0	0,029		
30	0730.514.096		SNAP RING	1				0,004		
40	0501.218.885		PUMP	1				0,000		
60	0501.329.172		CHAIN	1				0,071		
80	1087.210.266		SPROCKET WHEEL	1			KPL. VERB.TOLERANZ	0,000		
/110	---		SPROCKET WHEEL	1			WTB	0,000		
/120	0501.326.875		UNDULATSPRING	1				0,700		
/130	0501.323.708		PISTON RING	1				0,007		
/140	0501.326.909		ANGLE DISC	1				0,010		
100	1091.210.042		CENTERING PLATE	1			KPL.	0,000		
110	0736.101.578		TORX SCREW	7		Z00005936910	M10X27	0,008		
200	0734.313.893		ROUND SEALING RING	1			271X3	0,008		
210	---		SHIM	1			S= 2,00- 3,40( ABSTUFUNG:0,20MM)	0,000		
---	0501.324.915		SHIM	1			T=3,4 IN 0501 324 907(2)	0,028		
---	0501.324.914		SHIM	1			T=3,2	0,041		
---	0501.324.913		SHIM	1			T=3,0	0,039		
---	0501.324.912		SHIM	1			T=2,8	0,036		
---	0501.324.911		SHIM	1			T=2,6	0,033		
---	0501.324.910		SHIM	1			T=2,4	0,031		
---	0501.324.909		SHIM	1			T=2,2	0,028		
---	0501.324.908		SHIM	1			T=2,0	0,028		
220	0736.300.071		TORX SCREW	7			M10X70	0,020		
230	0736.300.068		TORX SCREW	7			M8X70	0,013		

# Parts list

Page 1 from 1

Material number: 1091.010.002

8 HP 90 SW /

Material-assembly-group-no: 1087.114.821



Pos.	Material number	Customer material	Name	Quantity	ME	Amend. no.	Techn. Info.	Weight	Rep kit	Alternative material
10	0501.326.060		NEEDLE SLEEVE	1				0,104		
20	1087.314.026		SNAP RING	1				0,007		
30	0501.326.212		SEALING SLEEVE	1		Z00004272210		0,033		
34	1087.342.136		SNAP RING	1				0,007		
50	0735.300.104		BALL BEARING	1			35,0X72,0X17,0	0,290		
70	1087.314.023		SNAP RING	1				0,022		
90	0734.319.633		SHAFT SEAL	1				0,027		
100	0730.112.642		SHIM	1		Z00004272210	A=1,00	0,005		
120	1087.314.024		OUTPUT FLANGE	1			Z=43	0,865		
140	0501.327.252		SEALING RING	1			28X35,5X5,2	0,007		
160	0501.324.215		COLLAR NUT	1		Z00004272210	M27X1,5	0,053		



# Parts list

Page 1 from 1

Material number: 1091.010.002

8 HP 90 SW /

Material-assembly-group-no: 1091.322.069



Pos.	Material number	Customer material	Name	Quantity	ME	Amend. no.	Techn. Info.	Weight	Rep kit	Alternative material
	1091.322.069		CONVERTER	1		Z00006416612	314*F138	17		

# Parts list

Page 1 from 1

Material number: 1091.010.002

8 HP 90 SW /

Material-assembly-group-no: 1091.124.818



Pos.	Material number	Customer material	Name	Quantity	ME	Amend. no.	Techn. Info.	Weight	Rep kit	Alternative material
10	1087.324.022		PIN	1				0,055		
20	0501.321.922		SCREW PLUG	1				0,032		
40	1087.324.074		PAWL	1				0,243		
60	1087.324.099		LEG SPRING	1				0,008		
80	1091.224.020		CONNECTING BAR	1				0,100		
110	1087.324.139		GUIDING PLATE	1				0,083		
120	1087.324.045		HEXALOBULAR DRIVING SCREW	3			M6X20*PRECOTE 85-3	0,007		

## Parts list

Page 1 from 1

Material number: 1091.010.002

8 HP 90 SW /

Material-assembly-group-no: 1087.126.823



Pos.	Material number	Customer material	Name	Quantity	ME	Amend. no.	Techn. Info.	Weight	Rep kit	Alternative material
30	0736.101.354		TORX SCREW	5			M5X60 IN 0736 101 351(1)	0,010		
110	1087.227.029		WIRING HARNESS	1			8HP E-SCHALT PZYL	0,038		
/100	6029.201.996		PLUG	1			8POL BU MLK KOSTAL 8HP	0,000		
/200	6029.207.902		PLUG	1			2POL ST MPQ 2.8 0,5/0,5	0,027		
/201	0659.120.090		LINE	480				0,000		
/202	0659.120.086		LINE	480				0,000		
/9201	0501.324.947		BOTTOM	1			KABELKANAL	0,000		
/9202	0501.324.946		COVER	1			KABELKANAL	0,000		

# Parts list

Page 1 from 1

Material number: 1091.010.002

8 HP 90 SW /

Material-assembly-group-no: 1087.127.900



Pos.	Material number	Customer material	Name	Quantity	ME	Amend. no.	Techn. Info.	Weight	Rep kit	Alternative material
690	1068.227.022		VALVE	4				0,008		
710	1068.227.061		VALVE	1			KPL. IN 1060 227 018(2)	0,001		
730	1087.327.041		PISTON	1			SDB V	0,001		
740	0732.040.105		COMPRSPRING	1				0,008		
760	0501.216.254		SCREEN FILTER	1				0,001		
770	1068.327.098		BALL	6				0,149		
780	0501.311.653		SCREEN	1				0,002		
790	1068.327.143		SPHERICAL PIECE	1				0,001		
800	1068.227.039		PISTON	7				0,010		
820	1087.227.012		SUCTION CONNECTOR	1			KPL. *8HP* OELVERSORGUNG	0,017		
830	0501.227.048		INTERMEDIATE SHEET	1			E*E26/1/6*MECH-S1	0,271		
/10	1087.327.175		INTERMEDIATE SHEET	1			E*E26/1/6*MECH-S1	0,269		
/20	0501.324.233		GASKET	1			SIEBDRUCK	0,000		
840	0736.101.352		TORX SCREW	20				0,008		
850	1068.327.144		CAP	1				0,005		

# Parts list

Page 1 from 1

Material number: 1091.010.002

8 HP 90 SW /

Material-assembly-group-no: 1087.128.802



Pos.	Material number	Customer material	Name	Quantity	ME	Amend. no.	Techn. Info.	Weight	Rep kit	Alternative material
450	0736.101.348		TORX SCREW	14				0,015		
570	0736.101.375		TORX SCREW	3				0,002		
580	0736.101.375		TORX SCREW	1				0,002		
640	1087.227.004		PRESSURE TUBE	1			KPL.	0,010		
670	0501.216.364		GUIDE SLEEVE	1				0,017		

# Parts list

Page 1 from 1

Material number: 1091.010.002

8 HP 90 SW /

Material-assembly-group-no: 1091.131.808



Pos.	Material number	Customer material	Name	Quantity	ME	Amend. no.	Techn. Info.	Weight	Rep kit	Alternative material
10	1091.231.067		PLANETARY DRIVE	1			KPL.RS1/5PL	0,000		
20	1087.331.027		SNAP RING	1				0,052		

# Parts list

Page 1 from 1

Material number: 1091.010.002

8 HP 90 SW /

Material-assembly-group-no: 1091.132.807



Pos.	Material number	Customer material	Name	Quantity	ME	Amend. no.	Techn. Info.	Weight	Rep kit	Alternative material
10	1091.232.040		PLANETARY DRIVE	1			KPL.RS2/4PL*OPT.V1* OPT.MAGNETR.	0,000		
20	1087.331.041		OIL TRAY	1				0,010		
30	1091.232.036		INPUT SHAFT	1		Z00007011012	KPL.	0,000		
/110	1091.332.021		INPUT SHAFT	1				2,556		
/120	1087.332.037		SEALING SLEEVE	1			3L WANDLER	0,019		
/130	0501.327.169		PLUG	1			VERLÄNGERT	2,510		
/140	0501.327.169		PLUG	1			VERLÄNGERT	2,510		
50	1087.332.048		SNAP RING	1				0,009		
60	0501.325.138		ANGLE DISC	1				0,024		
80	0501.327.948		PISTON RING	5			31,4X2	0,001		
90	0501.327.948		PISTON RING	2			31,4X2	0,001		
120	1087.332.095		SUN GEAR	1		Z00011123710	RS1*RS2	0,853		

# Parts list

Page 1 from 1

Material number: 1091.010.002

8 HP 90 SW /

Material-assembly-group-no: 1091.140.806



Pos.	Material number	Customer material	Name	Quantity	ME	Amend. no.	Techn. Info.	Weight	Rep kit	Alternative material
10	0735.368.299		AXIAL NEEDLE BEARING	1			57,0X72,7X4,0	0,033		
30	1087.340.011		SNAP RING	1			2X2 GRAD KONISCH	0,030		
50	1087.340.030		RING GEAR	1			RS3	0,658		
70	1087.340.011		SNAP RING	1			2X2 GRAD KONISCH	0,030		
100	1091.240.029		PLANETARY DRIVE	1				0,941		
120	0735.368.299		AXIAL NEEDLE BEARING	1			57,0X72,7X4,0	0,033		
140	1087.340.035		SNAP RING	1				0,052		
160	1091.240.017		SUN GEAR	1			KPL.RS3*OPT.V1	0,000		
170	0735.300.297		AXIAL NEEDLE BEARING	1			57,6X89,1X3,8	0,045		



# Parts list

Page 1 from 1

Material number: 1091.010.002

8 HP 90 SW /

Material-assembly-group-no: 1091.142.807



Pos.	Material number	Customer material	Name	Quantity	ME	Amend. no.	Techn. Info.	Weight	Rep kit	Alternative material
10	1091.242.067		OUTPUT SHAFT	1				3,911		
20	0501.324.816		PLUG	1				0,001		
26	1087.342.073		SEALING CAP	1				0,001		
30	0735.368.316		AXIAL NEEDLE BEARING	1			31,4X48,4X5,0	0,028		
80	0501.326.444		PIN	4				0,140		
90	0501.325.404		NEEDLE CAGE	4				0,065		
100	1087.342.268		PLANET GEAR	4			RS4	0,311		
110	1087.342.159		THRUST WASHER	8				0,010		
160	1087.342.160		SNAP RING	1			A=1,50	0,022		
180	0501.325.661		CYLINDER	1				0,271		
200	1087.342.270		RING GEAR	1			RS4	0,948		
220	1091.342.045		POT	1				0,994		
240	1087.342.052		SNAP RING	1			2X2 GRAD KONISCH	0,039		
270	0734.307.424		PISTON RING	2				0,001		

# Parts list

Page 1 from 1

Material number: 1091.010.002

8 HP 90 SW /

Material-assembly-group-no: 1087.151.029



Pos.	Material number	Customer material	Name	Quantity	ME	Amend. no.	Techn. Info.	Weight	Rep kit	Alternative material
10	1087.327.174		VALVE PLATE	1				2,020		
30	1087.327.043		PISTON	1			WD-V	0,008		
40	0732.041.109		COMPRSPRING	1				0,002		
60	1068.327.160		PLUG	1			ENTHALT.IN 1068 327 158(2)	0,004		
70	1068.327.021		SPRING CLAMP	1				0,005		
140	1085.327.010		PISTON	1			POSITIONS-VENTIL	0,003		
150	1085.327.009		PISTON	1			POSITIONS-VENTIL	0,010		
160	0732.300.050		COMPRSPRING	1				0,002		
170	1043.323.105		SUPPORT PLATE	1				0,002		
190	1087.327.238		PISTON	1		Z00012266810		0,006		
200	0732.300.159		COMPRSPRING	1		Z00012266810		0,002		
220	1043.323.105		SUPPORT PLATE	1				0,002		
240	1087.327.134		PISTON	1				0,006		
250	0732.041.856		COMPRSPRING	1				0,002		
270	1043.323.105		SUPPORT PLATE	1				0,002		
280	1087.327.130		PISTON	1				0,007		
310	0732.042.853		COMPRSPRING	1			HYDR. SCHALTGERAET	0,003		
320	1043.323.105		SUPPORT PLATE	1				0,002		
330	1087.327.130		PISTON	1				0,007		
350	0732.042.853		COMPRSPRING	1			HYDR. SCHALTGERAET	0,003		
360	1043.323.105		SUPPORT PLATE	1				0,002		

# Parts list

Page 1 from 1

Material number: 1091.010.002

8 HP 90 SW /

Material-assembly-group-no: 1091.170.809



Pos.	Material number	Customer material	Name	Quantity	ME	Amend. no.	Techn. Info.	Weight	Rep kit	Alternative material
10	1091.370.009		PISTON	1			A	0,179		
30	0501.324.937		LIP SEALING RING	1			129,9X139,9X3,9X2,5	0,007		
50	0501.323.592		LIP SEALING RING	1				0,454		
70	0501.324.780		CUP SPRING	1				0,112		
80	1087.370.014		SPLIT RING	1			A	0,016		
90	0501.327.470		AXIAL NEEDLE BEARING	1			50,8X67,5X4,0	0,029		
100	0501.323.623		ANGLE DISC	1				0,012		
110	---		SUN GEAR SHAFT	1			8HP90	0,000		
120	0501.324.839		UNDULATSPRING	1				0,032		
130	1087.370.009		OCLUTCH DISC	6			A	0,083		
140	0501.324.212		FRICTION PLATE	6				0,035		
150	1087.370.010		OCLUTCH DISC	1			ENDLAMELLE A	0,138		
160	---		SNAP RING	1			S= 1,80- 3,20( ABSTUFUNG:0,20MM)	0,000		
---	0730.514.137		SNAP RING	1			A=3,20 IN 0730 514 127	0,049		
---	0730.514.136		SNAP RING	1			A=3,00	0,046		
---	0730.514.135		SNAP RING	1			A=2,80	0,043		
---	0730.514.134		SNAP RING	1			A=2,60	0,040		
---	0730.514.133		SNAP RING	1			A=2,40	0,037		
---	0730.514.132		SNAP RING	1			A=2,20	0,034		
---	0730.514.131		SNAP RING	1			A=2,00	0,031		
---	0730.514.130		SNAP RING	1			A=1,80	0,028		
220	0501.327.470		AXIAL NEEDLE BEARING	1			50,8X67,5X4,0	0,029		

# Parts list

Page 1 from 1

Material number: 1091.010.002

8 HP 90 SW /

Material-assembly-group-no: 1091.171.006



Pos.	Material number	Customer material	Name	Quantity	ME	Amend. no.	Techn. Info.	Weight	Rep kit	Alternative material
10	1091.271.007		CYLINDER	1		Z00004825410	KPL.E	0,582		
30	0501.324.843		UNDULATSPRING	1				0,028		
40	1087.375.024		ICLUTCH DISC	7			A=2.1 IN 1087 375 016(1)	0,126		
50	0501.324.268		FRICTION PLATE	7				0,054		
60	---		ICLUTCH DISC	1			S=2,80-4,50 ( ABSTUFUNG:0,30MM)	0,000		
---	1087.375.023		ICLUTCH DISC	1			A=4.5 IN 1087 375 016(1)	0,269		
---	1087.375.022		ICLUTCH DISC	1			A=4.2 IN 1087 375 016(1)	0,252		
---	1087.375.021		ICLUTCH DISC	1			A=3.9 IN 1087 375 016(1)	0,234		
---	1087.375.020		ICLUTCH DISC	1			A=3.6 IN 1087 375 016(1)	0,216		
---	1087.375.019		ICLUTCH DISC	1			A=3.3 IN 1087 375 016(1)	0,198		
---	1087.375.018		ICLUTCH DISC	1			A=3.0 IN 1087 375 016(1)	0,180		
---	1091.375.004		ICLUTCH DISC	1			A=2.8 IN 1087 375 016(1)	0,168		
70	0501.326.357		CUP SPRING	1				0,095		
80	0734.313.895		ROUND SEALING RING	1			38,5X2,65	0,001		
90	0734.300.255		ROUND SEALING RING	1			41X1,5	0,001		
100	0501.325.663		PISTON	1				0,695		
110	1091.371.008		SUPPORT SHIM	1			E	0,130		
120	0501.323.394		LIP SEALING RING	1			93X103X3,9X2,5	0,005		
140	1087.371.015		WIRE RING	1				0,008		

# Parts list

Page 1 from 1

Material number: 1091.010.002

8 HP 90 SW /

Material-assembly-group-no: 1091.172.814



Pos.	Material number	Customer material	Name	Quantity	ME	Amend. no.	Techn. Info.	Weight	Rep kit	Alternative material
10	0501.327.494		UNDULATSPRING	1				24,800		
20	1091.372.058		OCLUTCH DISC	5			B	0,135		
30	0501.329.163		FRICTION PLATE	5				0,000		
40	---		OCLUTCH DISC	1			S= 4,50- 5,70( ABSTUFUNG:0,30MM)	0,000		
---	1091.372.008		OCLUTCH DISC	1			A=5,7	0,433		
---	1091.372.007		OCLUTCH DISC	1			A=5,4	0,410		
---	1091.372.006		OCLUTCH DISC	1			A=5,1	0,388		
---	1091.372.005		OCLUTCH DISC	1			A=4,8	0,365		
---	1091.372.004		OCLUTCH DISC	1			A=4,5 IN 1091 372 002(1)	0,342		
100	1091.372.013		PISTON	1				0,399		
110	0501.323.398		LIP SEALING RING	1				0,009		
120	0501.325.523		PROFILE SEALING RING	1				0,009		
130	0501.324.686		CYLINDER	1				0,199		
140	0734.313.899		ROUND SEALING RING	1			210X2,65 IN 0734 313 005	0,001		

# Parts list

Page 1 from 1

Material number: 1091.010.002

8 HP 90 SW /

Material-assembly-group-no: 1091.173.805



Pos.	Material number	Customer material	Name	Quantity	ME	Amend. no.	Techn. Info.	Weight	Rep kit	Alternative material
30	1087.273.008		PISTON	1			KPL. IN 1087 273 007(2)	0,662		
50	0734.313.221		ROUND SEALING RING	1			62X2,65	0,001		
70	0501.324.778		CUP SPRING	1			D	0,114		
80	1087.373.013		OIL DAM	1			D	0,228		
100	0734.313.007		ROUND SEALING RING	1			ENTHALT.IN 0734 313 005(1)	0,002		
120	0501.324.842		UNDULATSPRING	1				0,035		
140	1091.373.002		OCLUTCH DISC	5			ENTHALT.IN 1087 373 022(1)	0,142		
160	0501.326.037		FRICTION PLATE	5			L=2,12	0,054		
170	1087.373.024		OCLUTCH DISC	1			D ENDLAMELLE GENOPPT	0,177		
180	---		SNAP RING	1			S= 1,60- 2,80( ABSTUFUNG:0,20MM)	0,000		
---	0730.514.107		SNAP RING	1			A=2,80	0,047		
---	0730.514.106		SNAP RING	1			A=2,60	0,044		
---	0730.514.105		SNAP RING	1			A=2,40	0,041		
---	0730.514.104		SNAP RING	1			A=2,20	0,037		
---	0730.514.103		SNAP RING	1			A=2,00	0,034		
---	0730.514.102		SNAP RING	1			A=1,80	0,030		
---	0730.514.101		SNAP RING	1			A=1,60	0,027		
250	1091.373.006		POT	1				0,951		

# Parts list

Page 1 from 1

Material number: 1091.010.002

8 HP 90 SW /

Material-assembly-group-no: 1091.175.808



Pos.	Material number	Customer material	Name	Quantity	ME	Amend. no.	Techn. Info.	Weight	Rep kit	Alternative material
10	1091.375.016		HUB	1				0,380		
20	0734.313.896		ROUND SEALING RING	2			31,5X2 IN 0734 313 005(0)	0,001		
50	1091.375.019		CYLINDER	1				0,538		
60	0501.324.841		UNDULATSPRING	1				0,032		
80	1091.375.004		ICLUTCH DISC	7			A=2.8 IN 1087 375 016(1)	0,168		
100	0501.324.268		FRICTION PLATE	7				0,054		
110	---		ICLUTCH DISC	1			S=2,80-4,50 ( ABSTUFUNG:0,30MM)	0,000		
---	1087.375.023		ICLUTCH DISC	1			A=4.5 IN 1087 375 016(1)	0,269		
---	1087.375.022		ICLUTCH DISC	1			A=4.2 IN 1087 375 016(1)	0,252		
---	1087.375.021		ICLUTCH DISC	1			A=3.9 IN 1087 375 016(1)	0,234		
---	1087.375.020		ICLUTCH DISC	1			A=3.6 IN 1087 375 016(1)	0,216		
---	1087.375.019		ICLUTCH DISC	1			A=3.3 IN 1087 375 016(1)	0,198		
---	1087.375.018		ICLUTCH DISC	1			A=3.0 IN 1087 375 016(1)	0,180		
---	1091.375.004		ICLUTCH DISC	1			A=2.8 IN 1087 375 016(1)	0,168		
120	0501.324.781		CUP SPRING	1				0,086		
130	0734.313.895		ROUND SEALING RING	2			38,5X2,65	0,001		
160	0501.325.664		PISTON	1				0,675		
180	1091.375.014		SUPPORT SHIM	1				0,145		
200	0501.323.394		LIP SEALING RING	1			93X103X3,9X2,5	0,005		
220	0730.514.098		SNAP RING	1				0,010		
300	1091.242.058		SUN GEAR SHAFT	1			RS4	1,729		
330	0735.368.316		AXIAL NEEDLE BEARING	1			31,4X48,4X5,0	0,028		
350	0735.368.316		AXIAL NEEDLE BEARING	1			31,4X48,4X5,0	0,028		

# Parts list

Page 1 from 1

Material number: 1091.010.002

8 HP 90 SW /

Material-assembly-group-no: 1091.192.004



Pos.	Material number	Customer material	Name	Quantity	ME	Amend. no.	Techn. Info.	Weight	Rep kit	Alternative material
	1091.192.004		CONSERVATION	1			KA 0/KI 1*ZFN916* PRUEFST. *9,912DM3 GE/WT	0,000		



# Parts list

Page 1 from 1

Material number: 1091.010.002

8 HP 90 SW /

Material-assembly-group-no: 1091.197.901



Pos.	Material number	Customer material	Name	Quantity	ME	Amend. no.	Techn. Info.	Weight	Rep kit	Alternative material
10	1091.397.004		RETAINING CLIP	1				0,306		
20	---		BOLT+NUT	1			M8X45	0,000		
---	0636.010.084	8963100064	HEXAGON BOLT	1			M8X45	0,020		
---	0637.006.018	1000000412	HEXAGON NUT	1			M8	4,700		
30	0636.015.270	1000000358	HEXAGON BOLT	1			M10X16	0,020		

# Parts list

Page 1 from 1

Material number: 1091.010.002

8 HP 90 SW /

Material-assembly-group-no: 6058.008.066



Pos.	Material number	Customer material	Name	Quantity	ME	Amend. no.	Techn. Info.	Weight	Rep kit	Alternative material
	6058.008.066		E-MODUL 8-GANG	1		Z00006410311	D2-MUSTER	0,600		